

# RESOLUTION

No. \_\_\_\_\_

Date of Adoption **APR 21 2022**

Approved as to Form and Legality

Factual content certified by

  
WESLEY BRIDGES, ESQ., DIRECTOR OF LAW

  
MARK LAVENBERG, DIRECTOR OF WATER & SEWER

Councilman /woman

*Caldwell-Wilson*

presents the following Resolution:

**RESOLUTION ACCEPTING A BID AND AWARDING A CONTRACT TO FERGUSON WATER WORKS FOR THE FURNISH AND DELIVERY F.O.B. OF HYMAX AND HYMAX 2 COUPLINGS IN VARYING SIZES (4-INCHES TO 16-INCHES) FROM APRIL 8, 2022 TO APRIL 7, 2023 IN AN AMOUNT NOT TO EXCEED \$48,085.08 BID 2022-04**

**WHEREAS**, five (5) sealed bids were received in the Division of Purchasing on January 11, 2022, for the Furnish and Delivery F.O.B. of HYMAX and HYMAX 2 Couplings in varying sizes (4 to 16-inches) for the City of Trenton, Department of Water and Sewer, Trenton Water Works Construction and Maintenance Office; and

**WHEREAS**, this contract is necessary for the C&M Crews in the repair or installation of water main or other water appurtenances in the water distribution system. The primary effectiveness of the HYMAX coupling is it's ease use and efficiency in installation; and

**WHEREAS**, the low bidder, Ferguson Water Works, 190 Oberlin Avenue North, Lakewood, New Jersey 08701 is made pursuant to advertisement, be and is hereby accepted, as the lowest, responsive, responsible bidder complying with terms and specifications on file in the Division of Purchasing; and

**WHEREAS**, funds in an amount not to exceed \$48,085.08 (see attached breakdown of pricing per items) have been certified to be available in the following account number: CY' 2022, 2-05- -55-5500-835-002, from time of award contingent upon the temporary and final adoption of CY'2022 budget from April 8, 2022 to April 7, 2023.

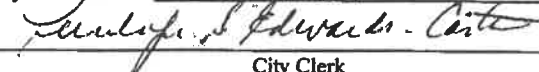
**NOW, THEREFORE, BE IT RESOLVED**, by the City Council of the City of Trenton that the Mayor is hereby authorized to execute a contract with Ferguson Water Works, 190 Oberlin Avenue North, Lakewood, New Jersey 08701 in an amount not to exceed \$48,085.08 for the Furnish and Delivery F.O.B. of HYMAX and HYMAX 2 Couplings in varying sizes (4 to 16-inches) for the City of Trenton, Department of Water and Sewer, Trenton Water Works Construction and Maintenance Office for the said purposes in the manner prescribed by law.

|          | Aye | Nay | Abstain | Absent |           | Aye | Nay | Abstain | Absent |         | Aye | Nay | Abstain | Absent |
|----------|-----|-----|---------|--------|-----------|-----|-----|---------|--------|---------|-----|-----|---------|--------|
| CALDWELL |     |     |         |        | RODRIGUEZ |     |     |         |        | MCBRIDE |     |     |         |        |
| WILSON   | ✓   |     |         |        |           | ✓   |     |         |        |         | ✓   |     |         |        |
| HARRISON | ✓   |     |         |        | VAUGHN    | ✓   |     |         |        |         |     |     |         |        |
| MUSCHAL  | ✓   |     |         |        | WILKINS   | ✓   |     |         |        |         |     |     |         |        |

This Resolution was adopted at a Meeting of the City Council of the City of Trenton on

**APR 21 2022**

  
President of Council

  
City Clerk

**Douglas S. Edwards-Carter**  
Assistant Municipal Clerk

**AGREEMENT  
CITY OF TRENTON, NEW JERSEY**

**BID2022-04**

**RESOLUTION NUMBER:#22-155**

**FURNISH AND DELIVERY F.O.B. OF HYMAX AND HYMAX 2 COUPLINGS IN VARYING SIZES  
(4-INCHES TO 16-INCHES) FOR A PERIOD OF ONE (1) YEAR FROM APRIL 8, 2022 TO  
APRIL 7, 2023 AWARDED TO FERGUSON WATER WORKS**

This Agreement, entered into this 22<sup>ND</sup> Day of APRIL 2022 between the City of Trenton, a municipal corporation of the State of New Jersey, ('CITY') **319 EAST STATE STREET, TRENTON, NEW JERSEY 08608** and **FERGUSON WATER WORKS, 190 OBERLIN AVENUE NORTH, LAKEWOOD, NEW JERSEY 08701** (Contractor"), witnesseth that:

**WHEREAS**, Contractor has bid, proposed or offered to furnish and deliver to the City the materials, supplies and/or goods to perform the services **IN AN AMOUNT NOT TO EXCEED \$48,085.08 (SEE ATTACHED BREAKDOWN OF PRICING PER ITEMS) FOR A PERIOD OF ONE (1) YEAR FROM APRIL 8, 2022 TO APRIL 7, 2023.**

**FIRST**, A. Contractor, under the penalty expressed in the bond hereinafter mentioned, will furnish, supply and deliver to the City of Trenton the following materials, supplies or services as authorized by:

**RESOLUTION ACCEPTING A BID AND AWARDING A CONTRACT TO FERGUSON WATER WORKS,  
190 OBERLIN AVENUE NORTH, LAKEWOOD, NEW JERSEY 08701 FOR FURNISH AND DELIVERY F.O.B. OF HYMAX  
AND HYMAX 2 COUPLINGS IN VARYING SIZES (4-INCHES TO 16-INCHES) FOR THE CITY OF TRENTON,  
DEPARTMENT OF WATER AND SEWER, TRENTON WATER WORKS CONSTRUCTION AND MAINTENANCE OFFICE**

B. The contract shall submit with contracts with the following:  
**UPDATED CERTIFICATE OF INSURANCE WITH SIGNED CONTRACTS  
SUB-CONTRACTORS: NONE**

Such performance by Contractor will be in strict accordance with the terms and conditions of the bid specifications, the bid response and the authorizing resolution, which are included above and is incorporated by reference,. Additionally, Contractor will furnish good and ample security in a sum equal to the said contract price for the said articles and services.

**SECOND**. The City of Trenton will pay Contractor the total sum mentioned herein when the appropriate Department Director has executed a certification that the said articles or services have been furnished, delivered and accepted in full conformity to the aforementioned specifications and offer or proposal.

**THIRD**. The City of Trenton reserves the right to order a greater or lesser quantity, not to exceed twenty-five percent, of any or all of the articles named in the said offer or proposal than is stated therein, and it is distinctly agreed between the said parties that the price quoted in the offer or proposal of Contractor shall be regarded as a standard of prices, and the total sum mentioned herein as the consideration of this contract shall not be regarded as limiting the right of the City of Trenton to order such greater or lesser quantity.

**FOURTH**. In the event of the failure of Contractor to deliver to the City of Trenton, such articles or perform such work or labor as described in such quantities as ordered at the time stated for such delivery by the City of Trenton, or in the event that such articles as are delivered or work and labor performed do not meet the specifications or standards, as established by the City of Trenton for such articles or acceptance of such work and labor, then such delivery shall be rejected by telephone or written notice to the Agent or address indicated by the Contractor and by simultaneous and like notice to his surety. Additionally, if Contractor or his surety does not cure the default within the time set by the said Agent on behalf of the City of Trenton, then the said Agent on behalf of the City, shall have the right to procure such services or purchase such articles in their place and stead in the open market as are needed for replacement, and from the best source available in the judgment of the said Agent and to charge the expense of such articles or work performed to Contractor and to deduct the amount thereof from any moneys due or to become due to Contractor by virtue of this agreement. Provided, however, that the surety on the bond of Contractor for the faithful performance of this agreement shall be first notified of the necessity for such replacement, and given the same time allowance for such replacement as is given Contractor.

**FIFTH**. This contract shall not be amended, assigned or subcontracted without the consent of the City of Trenton in writing (if the total compensation payable thereunder shall thereby exceed \$2,500.00, approval by Resolution of the Governing Body shall be required), and any breach of this covenant shall authorize the City of Trenton, by its said Agent, to declare this contract null and void and to refuse to make any further payments thereunder to Contractor.

**SIXTH**. In case of any conflict between the provisions of this agreement and of any of the provisions of the specifications, the latter shall govern and control.

Applicable for Public Construction Contracts Only: "Dispute Resolution Procedures (NJSA 40A:11-50). Disputes arising under this contract shall be subject to mediation or non-binding arbitration at the sole discretion of the City of Trenton, before a construction industry mediator or arbitrator or panels thereof. The City of Trenton shall have the right to select a third party to mediate any disputes arising under this agreement and the mediation shall be conducted informally in a manner decided upon by the mediator".

SEVENTH. Contractor hereby agrees to pay all workmen as a minimum the prevailing wages rate in accordance with Chapter 150 of the New Jersey Laws of 1963, Prevailing Wages on Public Contracts and U.S. Department of Labor Wage Rates with the higher rate for any given occupation being the governing rate, and N.J.S.A. 10:2-1 et seq., prohibiting discrimination in employment on public contracts.

EIGHTH. During the performance of this contract, the contractor agrees as follows:

a. CONTRACTOR or subcontractor, where applicable, will not discriminate against any employee or applicant for employment because of age, race, creed, color, national origin, ancestry, marital status, affectional or sexual orientation, or sex. CONTRACTOR will take affirmative action to ensure that such applicants are recruited and employed, and that employees are treated during employment, without regard to their age, race, creed, color, national origin, ancestry, marital status, gender identity or expression, affectional or sexual orientation, disability, nationality or sex. Such action shall include, but not be limited to the following: employment, up-grading, demotion, or transfer; recruitment or recruitment advertising; layoff or termination; rates of pay or other forms of compensation; and selection for training, including apprenticeship. CONTRACTOR agrees to post in conspicuous places, available to employees and applicants for employment, notices to be provided by the contracting officer setting forth the provisions of this nondiscrimination clause. (N.J.S.A. 10:5-33; N.J.A.C. 17:27-3.4)

b. CONTRACTOR or subcontractor, where applicable will, in all solicitations or advertisements for employees placed by or on behalf of CONTRACTOR, state that all qualified applicants will receive consideration for employment without regard to age, race, creed, color, national origin, ancestry, marital status, gender identity or expression, affectional or sexual orientation, disability, nationality or sex. (N.J.S.A. 10:5-33; N.J.A.C. 17:27-3.4)

c. CONTRACTOR or subcontractor where applicable, will send to each labor union or representative of workers with which he has a collective bargaining agreement or other contract or understanding, a notice, to be provided by the agency contracting officer, advising the labor union or workers' representative of CONTRACTOR's commitments under this act and shall post copies of the notice in conspicuous places available to employees and applicants for employment. (N.J.S.A. 10:5-33; N.J.A.C. 17:27-3.4)

d. CONTRACTOR or subcontractor, where applicable, agrees to comply with any regulations promulgated by the Treasurer pursuant to P.L. 1975, c.127, as amended and supplemented from time to time. (N.J.A.C. 17:27-3.4)

Note: A public works contract for a subcontractor with a total work force of four or fewer employees or for a contractor or subcontractor performing under an existing Federally approved or sanctioned affirmative action program shall contain as mandatory language only paragraphs a, b, and c above, and the contract shall not contain any other mandatory language prescribed by N.J.A.C. 17:27. (N.J.A.C. 17:27-3.4) (c)

e. All bidders and all contractors who are negotiating for a procurement or service contract with the public agency which is not subject to a federally approved or sanctioned affirmative action program are required to submit to the public agency, prior to or at the time the contract is submitted for signing by the public agency (in accordance with N.J.A.C. 17:27-4.3 promulgated by the Treasurer pursuant to P.L. 1975, c. 127), one of the following three documents:

1. Appropriate evidence that the contractor is operating under an existing federally approved or sanctioned affirmative action program; or

2. A certificate of employee information report approval issued in accordance N.J.A.C. 17:27-4; or

3. An initial employee information report consisting of forms provided by the affirmative action office and completed by the contractor in accordance with N.J.A.C. 17:27-4. (N.J.A.C. 17:27-3.3) (a)

f. CONTRACTOR or subcontractor agrees to attempt in good faith to employ minority and female workers consistent with the applicable county employment goals prescribed by N.J.A.C. 17:27-5.2 promulgated by the Treasurer pursuant to P.L. 1975, c. 127, as amended and supplemented from time to time or in accordance with a

binding determination of the applicable county employment goals determined by the affirmative action office pursuant to N.J.A.C. 17:27-5.2 promulgated by the Treasurer pursuant to P.L. 1975, c. 127, as amended and supplemented from time to time. (N.J.A.C. 17:27-5.3)(a) (1)

g. CONTRACTOR or subcontractor agrees to inform in writing appropriate recruitment agencies in the area, including employment agencies, placement bureaus, colleges, universities, labor unions, that it does not discriminate on the basis of age, creed, color, national origin, ancestry, marital status or sex, gender identity or expression, and that it will discontinue the use of any recruitment agency which engages in direct or indirect discriminatory practices. (N.J.A.C. 17:27-5.3) (a) (2)

h. CONTRACTOR or subcontractor agrees to revise any of its testing procedures, if necessary, to assure that all personnel testing conforms with the principles of job-related testing, as established by the statutes and court decisions of the State of New Jersey and as established by applicable Federal law and applicable Federal court decisions. (N.J.A.C. 17:27-5.3) (a) (3)

i. CONTRACTOR or subcontractor agrees to review all procedures relating to transfer, upgrading, downgrading and layoff to ensure that all such actions are taken without regard to age, creed, color, national origin, ancestry, marital status or sex, and conform with the applicable employment goals, consistent with the statutes and court decisions of the State of New Jersey, and applicable Federal law and applicable Federal court decisions. (N.J.A.C. 17:27-5.3) (a) (4)

j. CONTRACTOR agrees that in the hiring of persons for the performance of work under this contract or any subcontract hereunder, or for the procurement, manufacture, assembling or furnishing of any such materials, equipment, supplies or services to be acquired under this contract, no contractor, nor any person acting on behalf of such contractor or subcontractor, shall, by reason of race, creed, color, national origin, ancestry, marital status, gender identity, or expression, affectional or sexual orientation or sex, discriminate against any person who is qualified and available to perform the work to which the employment relates. (N.J.S.A. 10:2-1) (a)

k. No contractor, subcontractor, nor any person on his behalf shall, in any manner, discriminate against or intimidate any employee engaged in the performance of work under this contract or any subcontract hereunder, or engaged in the procurement, manufacture, assembling or furnishing of any such materials, equipment, supplies or services to be acquired under such contract, on account of race, creed, color, national origin, ancestry, marital status, gender identity or expression, affectional or sexual orientation or sex. (N.J.S.A. 10:2-1) (b)

l. There may be deducted from the amount payable to the contractor by the contracting public agency, under this contract, a penalty of \$50.00 for each person for each calendar day during which such person is discriminated against or intimidated in violation of the provisions of the contract. (N.J.S.A. 10:2-1) (c)

m. This contract may be canceled or terminated by the contracting public agency, and all money due or to become due hereunder may be forfeited, for any violation of this section of the contract occurring after notice to the contractor from the contracting public agency of any prior violation of this section of the contract. (N.J.S.A. 10:2-1) (d)

n. The parties of this contract do hereby agree that the provisions of N.J.S.A. 10:2-1 through 10:2-4, dealing with discrimination in employment on public contracts, and the rules and regulations promulgated pursuant thereto, are hereby made a part of this contract and are binding upon them. (N.J.A.C. 13:6-1.1)

o. Contractor and subcontractor agree and guarantee to afford equal opportunity in performance of the contract and, except with respect to affectional or sexual orientation, and gender identity or expression in accordance with an affirmative action program approved by the State Treasurer. (N.J.S.A. 10:5-32 and 10:5-35) (a)

p. The parties of this contract do hereby agree that the provisions of Title II of the Americans with Disabilities Act of 1990, 42 U.S.C. Section 12101 et seq., which prohibits discrimination on the basis of disability by public entities in all services programs and activities provided or made available by public entities, and the rules and regulations promulgated pursuant thereto, are made a part of this contract. The contractor agrees to conduct all activities in compliance with the provisions of Title VI of the Civil Rights Act of 1964, the Rehabilitation Act of 1973, the Age Discrimination Act of

1975, Title IX of the Education Amendments of 1972, and the U.S. Department of Labor's regulations at 29 CFR Parts 31, 32 and 34.

Contractor shall cooperate with any state or federal reviews aimed at determining compliance with nondiscrimination laws and regulations authorized by State Law and expressly specified herein.

IN WITNESS WHEREOF, the City of Trenton has caused this agreement to be signed by the Mayor of the City of Trenton and its corporate seal to be hereto affixed, attested by the City Clerk, and Contractor has likewise caused this agreement to be executed the day and year first above written.

**CITY OF TRENTON**

Attest: Penelope S. Edwards-Carter W. Reed Gusciora  
Municipal Clerk W. Reed Gusciora, Esq. Mayor  
**Penelope S. Edwards-Carter**  
Assistant Municipal Clerk  
30 June 2022 Date 6.14.22  
Date

and

**FERGUSON WATER WORKS, 190 OBERLIN AVENUE NORTH, LAKEWOOD, NEW JERSEY 08701**

Attest: John Mastrogiovanni Victory Smith  
Secretary President  
6.1.22  
Date

## Specifications & Proposal

### SPECIFICATIONS:

Material shall be as specified in the HYMAX & HYMAX 2 Coupling (MUELLER Brand) Product Specifications for 4-inch to 16-inch and include all gaskets, bolts & nuts:

# HYMAX

• MUELLER brand

## HYMAX® 2 COUPLING (1.5" - 12")

### Product Specifications

#### FEATURES

- Advanced wide-range coupling with a patented flip gasket
- Eliminates gasket removal mistakes and maximizes installer work efficiency
- Only 2 top facing bolts, for faster and safer installation
- Ready-to-use design to eliminate extensive under-pipe digging
- Allows 4° dynamic deflection on each end, reducing future pipe damage
- Patented hydraulically-assisted gasket with 2-stage sealing
- Suitable for all types of pipes - ductile iron, cast iron, steel, copper, PE, PVC and AC
- One product can connect pipes of two different materials
- Based on the game-changing HYMAX that has been field-proven in millions of installations in the US
- Product performance, OD range and pressures are identical to those of the original HYMAX
- Lifting T-handle exists in sizes 3" - 12" only



#### CENTER RING

- ASTM A53 Grade A steel.

#### GASKETS

- EPDM compounded per ASTM D2000 for water and sewage, meet international standards for contact with drinking water.

#### BRIDGE

- Available in AISI 304 or 316 Stainless Steel.

#### SPHERICAL SPACERS

- Available in AISI 304 or 316 Stainless Steel.

#### COATING

- 100% fusion bonded epoxy for enhanced corrosion protection.
- Average thickness 14 mm.

#### NUTS AND BOLTS

- Available in AISI 304 or 316 Stainless Steel. Rolled thread with anti-galling coating.

#### SPECIFICATIONS

##### STANDARDS

- HYMAX 2 meets or exceeds standards AWWA C219, NSF 61, NSF 372.

##### SIZE

- Available in nominal diameter from 1.5" - 12" standard. Call Mueller for details.

##### MATERIALS

###### END RINGS

- ASTM A283/A283M Grade C steel.



JOIN



REPAIR



RESTRAIN



TAP

**MUELLER**

## PRODUCT PERFORMANCE

### WORKING TEMPERATURE

- -20° F up to +125° F

### DYNAMIC DEFLECTION

- Up to 4° per side

### MIN. PIPE INSERTION

- 2.25"

### MAXIMUM OFFSET FOR MISALIGNED PIPES

- ND 1.5" - ND 3": 0.39"
- ND 4" - ND 12": 0.51"

### MAXIMUM OUT OF ROUNDNESS

- ND 1.5": 0.08"
- ND 2" - ND 3": 0.20"
- 4" - 12": 0.31"

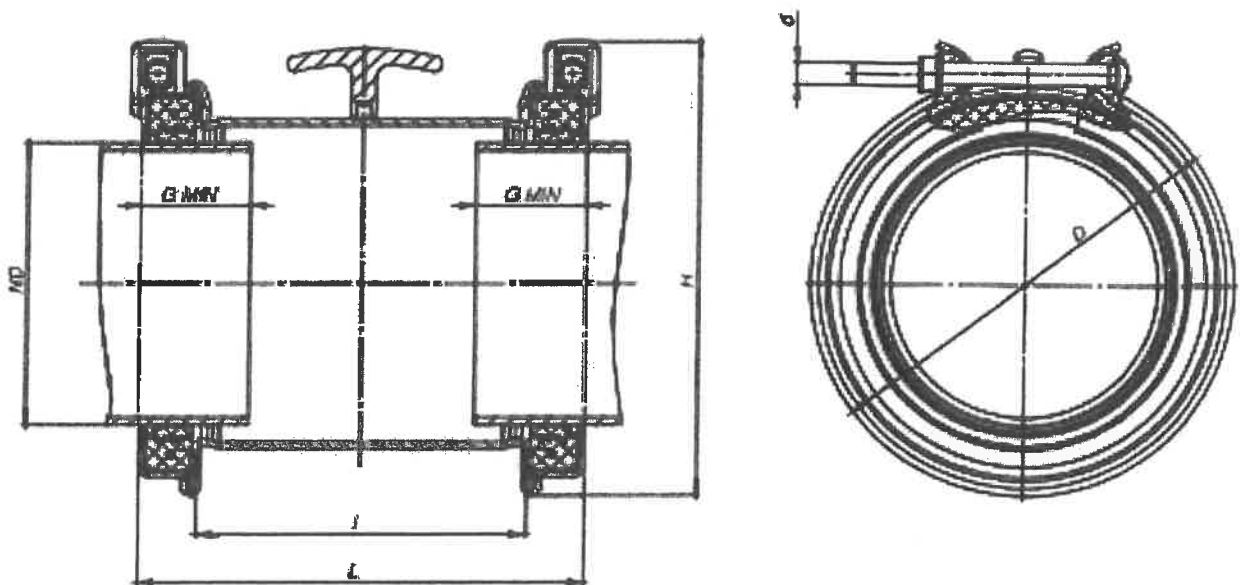
### WORKING PRESSURE

- 260 psi

### VACUUM TEST

- 12 psi

## PRODUCT TABLES



**Trenton Water Works**  
**Construction & Maintenance Office**  
**Calendar Year 2022 – HYMAX & HYMAX 2 Coupling Contract**

**HYMAX 2 NOMINAL SIZES (1.5" - 12")**

| HYMAX Part Number | NO (inch) | Overall Range (inch) | Range in Closed Gasket Position (inch) | Range in Open Gasket Position (inch) | Bolts Qty.-Size (mm) | Torque (ft-lbs) | Approx. Weight (lbs) | Length (inch) |
|-------------------|-----------|----------------------|--|--------------------------------------|----------------------|-----------------|----------------------|---------------|
| 860-XX-0041-16    | 1.5       | 1.61 - 2.13          | 1.61 - 1.97                            | 1.96 - 2.13                          | 2 - M12              | 35              | 5                    | 6.1           |
| 860-XX-0054-16    | 2         | 2.10 - 3.03          | 2.10 - 2.60                            | 2.56 - 3.03                          | 2 - M12              | 50              | 7.5                  | 6.8           |
| 860-XX-0088-16    | 3         | 3.46 - 4.33          | 3.46 - 3.90                            | 3.86 - 4.33                          | 2 - M12              | 80              | 10.8                 | 8.8           |
| 860-XX-0108-16    | 4         | 4.25 - 5.63          | 4.25 - 5.00                            | 4.92 - 5.63                          | 2 - M14              | 75              | 15                   | 8.8           |
| 860-XX-0130-16    | 5         | 5.12 - 6.38          | 5.12 - 5.75                            | 5.71 - 6.38                          | 2 - M14              | 75              | 19                   | 10.8          |
| 860-XX-0145-16    | 6         | 6.42 - 7.68          | 6.42 - 7.05                            | 7.01 - 7.68                          | 2 - M14              | 75              | 23                   | 10.8          |
| 860-XX-0190-16    | 7         | 7.48 - 8.74          | 7.48 - 8.11                            | 8.07 - 8.74                          | 2 - M14              | 75              | 24                   | 10.8          |
| 860-XX-0217-16    | 8         | 8.54 - 9.84          | 8.54 - 9.17                            | 9.13 - 9.84                          | 2 - M14              | 75              | 28                   | 10.8          |
| 860-XX-0272-16    | 10        | 10.70 - 12.00        | 10.70 - 11.37                          | 11.33 - 12.00                        | 2 - M14              | 75              | 32                   | 10.8          |
| 860-XX-0278-16    | 10        | 10.96 - 12.26        | 10.96 - 11.63                          | 11.59 - 12.26                        | 2 - M14              | 75              | 33                   | 10.8          |
| 860-XX-0315-16    | 12        | 12.40 - 13.66        | 12.40 - 13.03                          | 12.99 - 13.66                        | 2 - M14              | 80              | 39                   | 10.8          |
| 860-XX-0334-16    | 12        | 13.15 - 14.41        | 13.15 - 13.78                          | 13.74 - 14.41                        | 2 - M14              | 80              | 39                   | 10.8          |

When XX = 54 - Fasteners are AISI 304SS

When XX = 94 - Fasteners are AISI 316SS

For specific sizes of products in stock, call Mueller for details.



## PRODUCT SPECIFICATIONS

# HYMAX<sup>®</sup>

## LARGE DIAMETER COUPLING (HLD) (14"-60")



### FEATURES

- GAME-CHANGING WIDE-RANGE COUPLING, PROVEN IN OVER 1M INSTALLATIONS IN THE US
- SUITABLE FOR ALL TYPES OF PIPES · DUCTILE IRON, CAST IRON, STEEL, COPPER, PE, PVC, AC, GRP
- PATENTED NO-TEAR FLIP GASKET FOR EASY INSTALLATION (UP TO SIZE 24") HLD 2
- LIGHTWEIGHT CONSTRUCTION ENABLES FAST AND EASY INSTALLATION
- ALLOWS 4° DYNAMIC DEFLECTION ON EACH END, REDUCING FUTURE PIPE DAMAGE
- ONE PRODUCT CAN CONNECT PIPES OF TWO DIFFERENT MATERIALS

### SPECIFICATIONS

#### STANDARDS

HYMAX MEETS OR EXCEEDS  
 STANDARDS AWWA C-219, NSF  
 61, NSF 372.

#### SIZE

AVAILABLE IN NOMINAL DIAMETER  
 FROM 14" - 60".  
 CALL KRAUSZ FOR DETAILS.

#### MATERIAL

**END RING** 14" - 16" ASTM A283 / A283M GRADE C STEEL.  
 (OR DUCTILE IRON CASTING ASTM A536 GRADE 60-40-18).  
 18" - 60" ASTM A283 / A283M GRADE C STEEL.

**CENTER RING** 14" - 60" ASTM A283 / A 283M GRADE C STEEL.

**GASKETS** COMPOUNDED FOR WATER AND SEWAGE, MEETS INTERNATIONAL STANDARDS FOR CONTACT  
 WITH DRINKING WATER.  
 14"-24" - AVAILABLE IN EPDM FLIP GASKET.  
 26"-60" - EPDM ONE-LAYER GASKET.

**BRIDGE** AISI 304 STAINLESS STEEL.

**SPHERICAL SPACERS** AISI 304 STAINLESS STEEL.

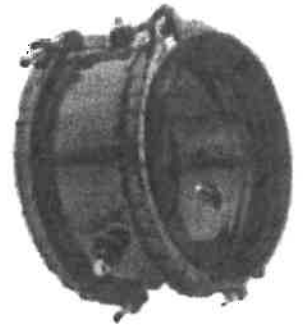
**COATING** 100% FUSION BONDED EPOXY FOR ENHANCED CORROSION PROTECTION.  
 AVERAGE THICKNESS 14 MIL.

**NUTS AND BOLTS** AISI 304 STAINLESS STEEL. ROLLED THREAD AND ANTI-GALLING COATING.

**HYMAX<sup>®</sup>**  
 Repair the past. Connect the future.  
 KRAUSZ is the creator of HYMAX

## PRODUCT SPECIFICATIONS

### HYMAX LARGE DIAMETER COUPLING (HLD)



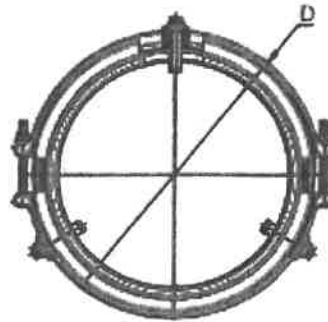
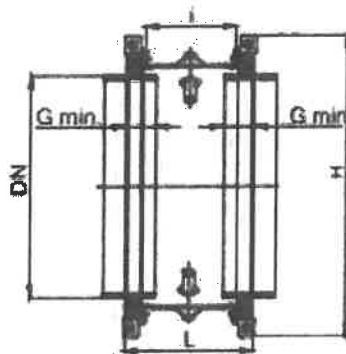
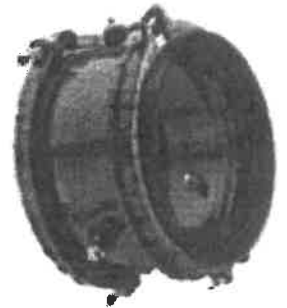
#### PRODUCT PERFORMANCE

|  |                          |                      |                                       |
|--|--------------------------|----------------------|---------------------------------------|
| <b>WORKING TEMPERATURE</b>                 | EPDM: -20°F UP TO +125°F |                      |                                       |
| <b>DYNAMIC DEFLECTION</b>                  | UP TO 4° PER SIDE.       |                      |                                       |
| <b>MIN. PIPE INSERTION</b>                 | 14" - 60"<br>4"          |                      |                                       |
| <b>MAXIMUM OFFSET FOR MISALIGNED PIPES</b> | 14" - 60"<br>0.51"       |                      |                                       |
| <b>MAXIMUM OUT OF ROUNDNESS</b>            | 14" - 60"<br>0.51"       |                      |                                       |
| <b>WORKING PRESSURE</b>                    | 1.5" - 16"<br>260 PSI    | 18" - 24"<br>232 PSI | 26" - 60"<br>CALL KRAUSZ FOR DETAILS. |
| <b>RATED PRESSURE</b>                      | 14" - 16"<br>390 PSI     | 18" - 24"<br>350 PSI | 26" - 60"<br>CALL KRAUSZ FOR DETAILS. |
| <b>VACUUM TEST</b>                         | 12 PSI                   |                      |                                       |

## PRODUCT SPECIFICATIONS

### HYMAX LARGE DIAMETER COUPLING (HLD)

#### PRODUCT TABLES



**Part Number 860-XX**  
 54 -> EPDM flip gasket

#### HYMAX LARGE DIAMETER NOMINAL SIZES 14"-24"

| Krausz Part Number | NO (inch) | Overall Range (inch) | Closed gasket position (inch) | Open gasket position (inch) | D (inch) | H (inch) | (inch) | L (inch) | G Min Pipe Insert (inch) | Bolts Qty and Size (mm) | Torque (ft-lb) | Working Pressure (PSI) | Rated Pressure (PSI) | Approx. Weight (lbs) |
|--------------------|-----------|----------------------|-------------------------------|-----------------------------|----------|----------|--------|----------|--------------------------|-------------------------|----------------|------------------------|----------------------|----------------------|
| 860-54-0378-16P    | 14        | 15.00-17.10          | 15.00-16.10                   | 16.02-17.10                 | Ø21.0    | 23.2     | 8.0    | 11.6     | 4.0                      | 4 -M16                  | 150            | 260                    | 390                  | 92                   |
| 860-54-0434-16P    | 16        | 17.10-19.20          | 17.10-18.19                   | 18.11-19.20                 | Ø23.2    | 25.6     | 8.0    | 11.6     | 4.0                      | 4 -M16                  | 150            | 260                    | 390                  | 101                  |
| 860-54-0488-16P    | 18        | 19.20-21.30          | 19.20-20.29                   | 20.21-21.30                 | Ø25.3    | 27.8     | 8.0    | 11.6     | 4.0                      | 4 -M16                  | 150            | 232                    | 350                  | 101                  |
| 860-54-0497-16P    | 20        | 19.60-21.70          | 19.60-20.69                   | 20.61-21.70                 | Ø25.6    | 28.1     | 8.0    | 11.6     | 4.0                      | 4 -M16                  | 150            | 232                    | 350                  | 105                  |
| 860-54-0540-16P    | 20        | 21.25-23.35          | 21.25-22.35                   | 22.27-23.35                 | Ø27.3    | 29.8     | 8.0    | 11.6     | 4.0                      | 4 -M16                  | 150            | 232                    | 350                  | 110                  |
| 860-54-0606-16P    | 24        | 23.85-25.95          | 23.85-24.96                   | 24.88-25.95                 | Ø29.1    | 31.7     | 8.0    | 11.6     | 4.0                      | 4 -M16                  | 150            | 232                    | 350                  | 120                  |
| 860-54-0624-16P    | 24        | 24.60-26.70          | 24.60-25.67                   | 25.59-26.70                 | Ø30.6    | 33.2     | 8.0    | 11.6     | 4.0                      | 4 -M16                  | 150            | 232                    | 350                  | 120                  |

**HYMAX 26"-60" - MTO (MADE TO ORDER) AVAILABLE**  
 FOR SPECIFIC SIZES OF PRODUCTS IN STOCK, CALL KRAUSZ FOR DETAILS.

**Trenton Water Works**  
**Construction & Maintenance Office**  
**Calendar Year 2022 – HYMAX & HYMAX 2 Coupling Contract**

---

The Water Utility is to be notified between 8:00 a.m. and 4:30 p.m. on City of Trenton working days 24 hours prior to delivery by calling Mr. Ralph Conte, Warehouse Supervisor at (609) 989-3228. There are to be no deliveries on Saturdays, Sundays or City Holidays. Deliveries are to be between 8:00 a.m. and 12 noon. If a call is received on a Friday, Monday morning would be the delivery time unless Monday falls on a City Holiday.

For clarity and the purposes of this Contract, the part numbers and product description referenced in the bid table below and in the pages to follow identify specific couplings which shall be referenced from the Mueller HYMAX & HYMAX 2 Coupling Products Catalog of latest revision. The quantities listed herein are estimates only and not intended as a guarantee. The contract shall therefore be for the actual quantities ordered at the unit prices bid during the contract's term.